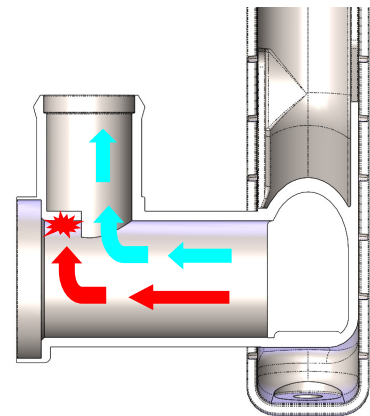
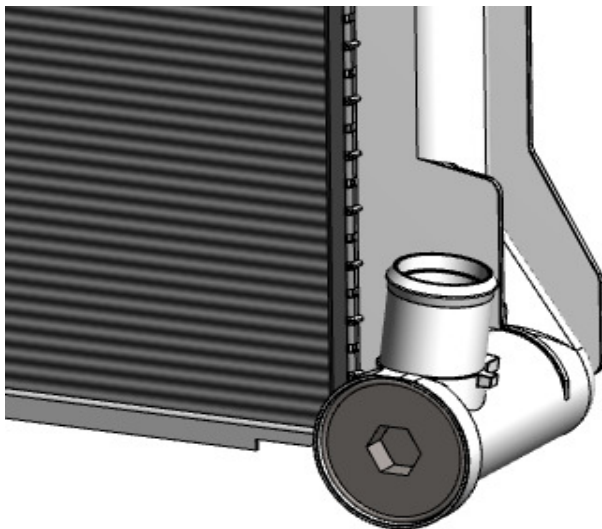


Design Change for Radiator Toyota Corolla

3461-8511, 3461-8519, 3461-8523, 3461-8534, 3461-8535

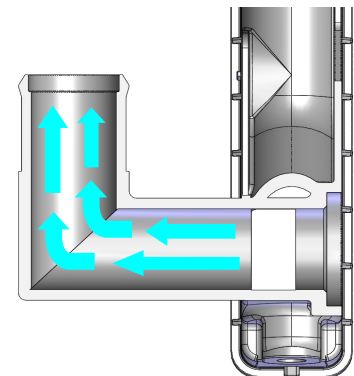
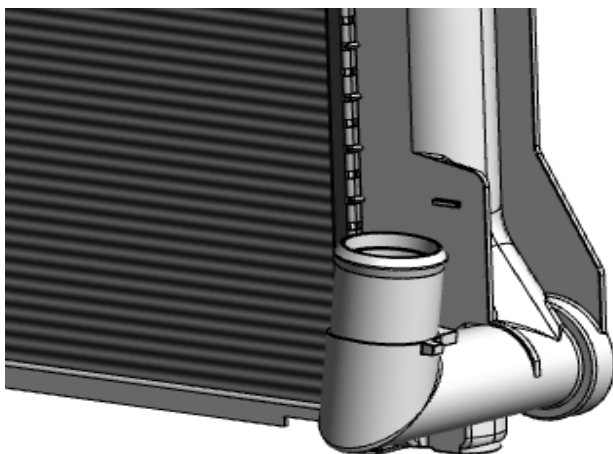
We changed the design outlet pipe to have smoother coolant flow.

Previous Design



Section Outlet Pipe

New Design



Section Outlet Pipe

For further information, please contact us.

www.adr-radiator.com

world class quality radiator